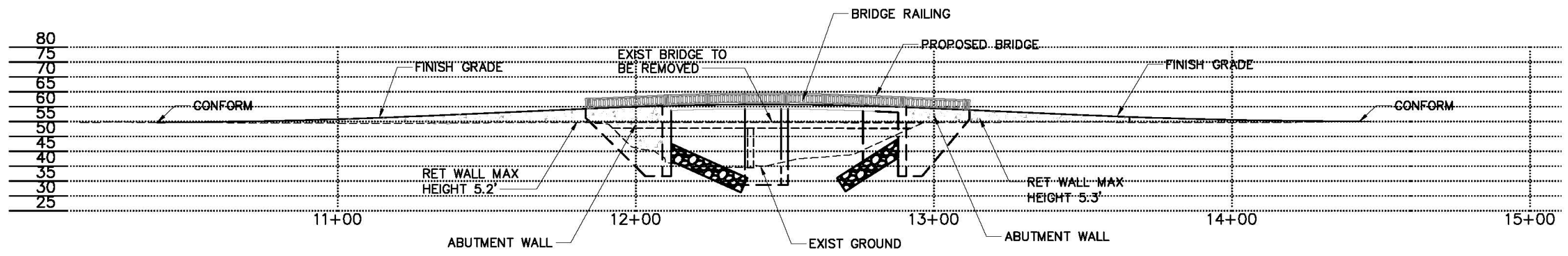


- LEGEND:
- STRUCTURE RECONSTRUCTION
 - ROADWAY/DRIVEWAY/PATH RECONSTRUCTION
 - SIDEWALK RECONSTRUCTION
 - TREE TO BE REMOVED
 - TREE POTENTIALLY IMPACTED

PLAN
1" = 20'



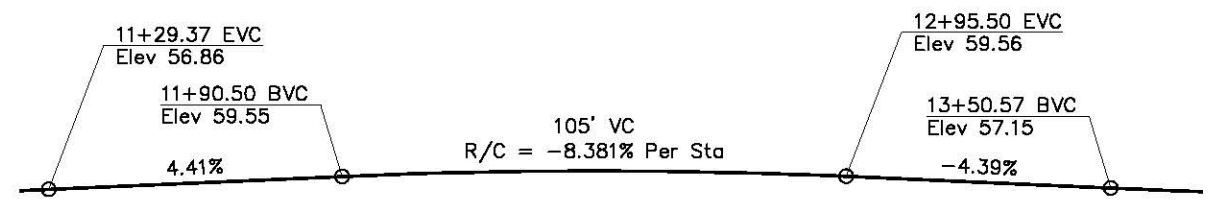
PROFILE
1" = 20' (HORIZ)
1" = 1' (VERT)

**NOKOMIS AVENUE
BRIDGE REPLACEMENT**

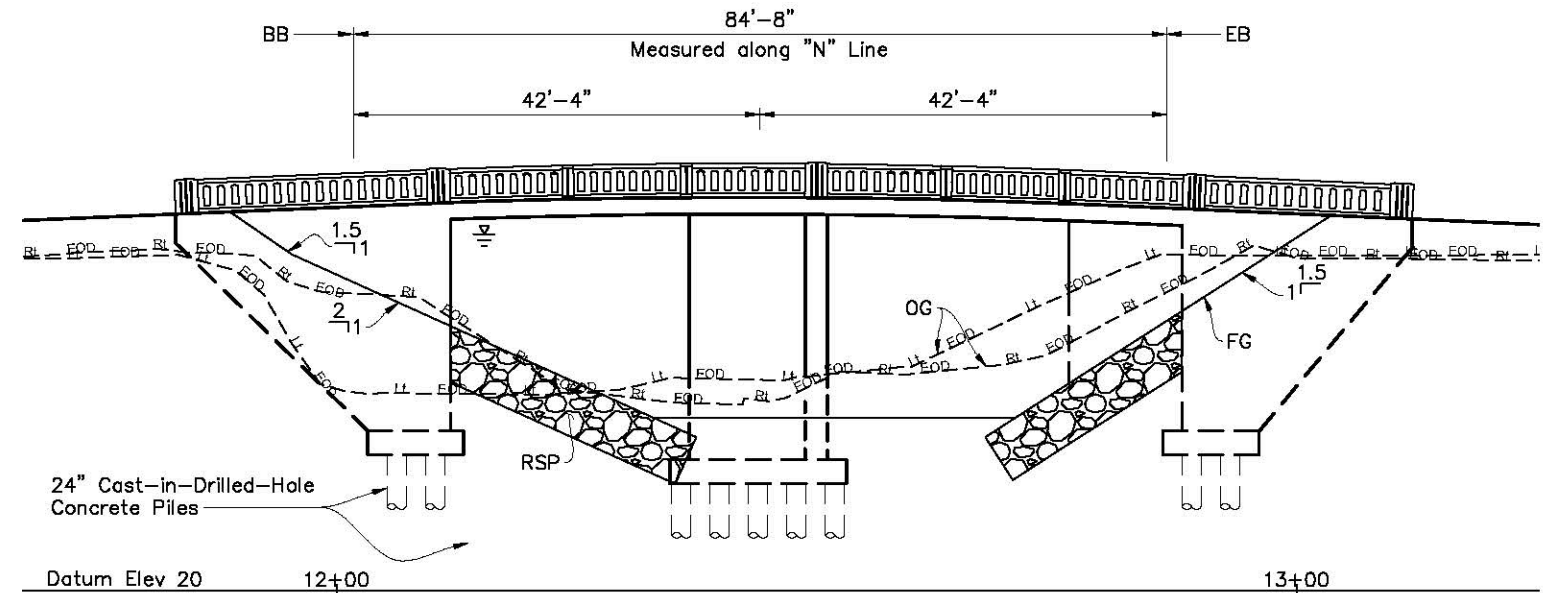
PROJECT CONCEPT ONLY
SUBJECT TO FUTURE PUBLIC REVIEW AND INPUT

NOTE: This exhibit is from 2017.
See exhibits from 2018 Public Meeting for current draft.

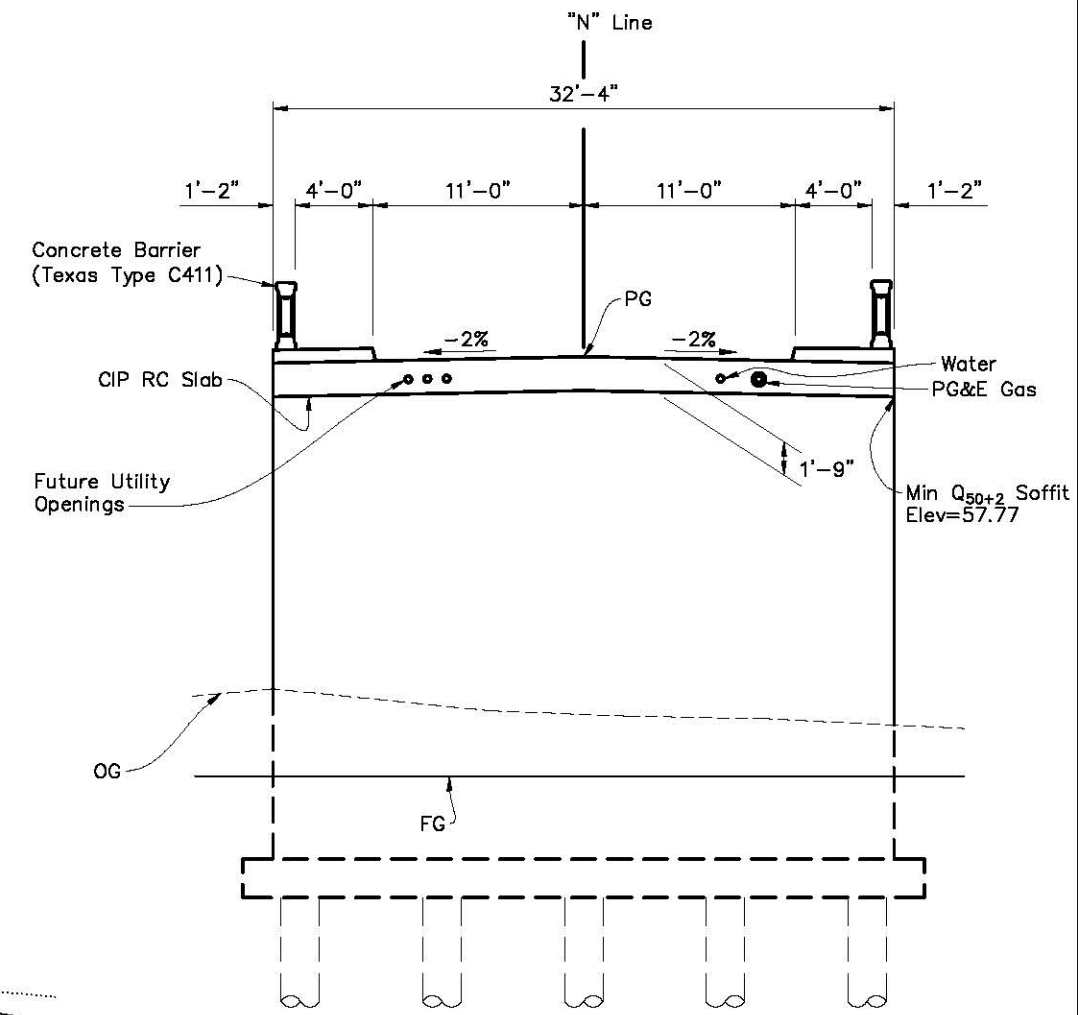




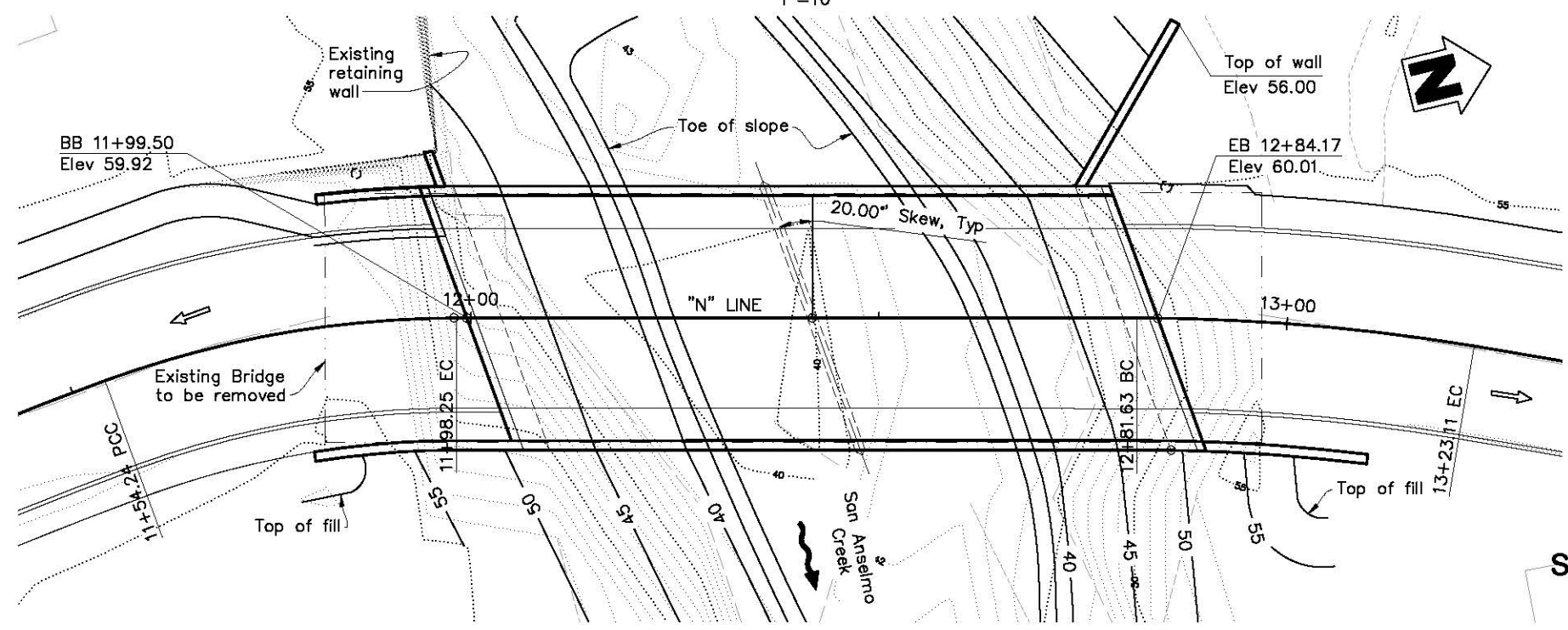
PROFILE GRADE
NO SCALE



ELEVATION
1"=10'



TYPICAL SECTION
1"=5'



PLAN
1"=10'

PROJECT CONCEPT ONLY
SUBJECT TO FUTURE PUBLIC REVIEW AND INPUT

TOWN OF SAN ANSELMO

DESIGN OVERSIGHT
SIGN OFF DATE

DESIGNED BY	M. Quest	DATE	9/22/15
DRAWN BY	R. Kotey	DATE	9/22/15
CHECKED BY		DATE	
APPROVED		DATE	

Mario Quest
PROJECT ENGINEER

PLANNING STUDY	
NOKOMIS AVE (REPLACE)	
BRIDGE NO. 27C0153	UNIT: UNIT
SCALE: x	PROJECT NUMBER & PHASE: PRO